



# MOBILE TOILET CABINS





## TANK CABIN T-500

### – With a 500 litre waste tank

With the floor and toilet seat cast in a single piece of reinforced fibre glass composite, this model is very durable and easy to clean. The toilet is connected to a 500 litre integrated waste tank and there is also a wash basin with a separate 25 litre water supply. The cabin can also be mounted on a chassis (Toilet Trailer 1).



#### Dimensions

Length	Width	Height
1420 mm	1200 mm	2650 mm

**Weight**  
300 kg

**Waste tank capacity**  
Appr. 1,600 visitors / 500 litres



## WC CABIN

### – For connection to the mains water and sewerage

Furnished with a ceramic WC and a sturdy plastic wash basin, this model needs connection to mains water supply and sewerage.



#### Dimensions

Length	Width	Height
1380 mm	1200 mm	2360 mm

**Weight**  
300 kg



## TOILET TRAILER 4

### – With a wheeled chassis and 4 cubicles

Mounted on a wheel chassis, this model offers four separate cubicles with reinforced fibre glass composite interior. The toilets are connected to an integrated waste tank. The cubicles do not contain wash basins.



#### Dimensions

Length	Width	Height
4500 mm	2150 mm	2890 mm

**Weight**  
1300 kg

**Waste tank capacity**  
Appr. 2,000 visitors / appr. 700 litres



## TOILET TRAILER 1

### – T-500 mounted on chassis

The interior is the same as in Tank Cabin T-500, mounted on chassis for ease of transportation.

#### Dimensions

Length	Width	Height
3000 mm	1630 mm	2900 mm

**Weight**  
445 kg

**Waste tank capacity**  
Appr. 1,600 visitors / 500 litres



## DOUBLE TANK CABIN

### – With a waste tank and two cubicles

This model contains two separate cubicles, one with ambulant disabled access and equipment. Each cubicle contains a toilet with an integrated waste tank fitted in reinforced fibre glass composite.



#### Dimensions

Length	Width	Height
2960 mm	1850 mm	2510 mm

#### Weight

700 kg

#### Waste tank capacity

Appr. 2,000 visitors / appr. 700 litres



## ACCESSIBLE WC CABIN

### – The larger Toilet Cabin for disabled visitors

This model contains a single, larger cubicle for disabled visitors. Furnished with a ceramic WC, drop down grab rails, a sturdy wash basin, two coat hooks, an extra mirror, a waste bin. Baby change table is available as an option. This model requires connection to the mains water supply and sewer system.



#### Dimensions

Length	Width	Height
2300 mm	2300 mm	2550 mm

#### Weight

650 kg

## GENERAL INFORMATION

### – Mobile toilet cabins from Danfo

Our high-quality mobile toilet cabins are available in several different models, all fully insulated for use all the year round.

The cabins come with integrated waste tanks or with water closets for connection to water and sewerage, depending on the requirements of the customer.

All Danfo cabins are easily transported with durable high quality fittings. Danfo's toilet cabins are ideally suited for use permanently or semi-permanently in a variety of locations such as golf courses, camping sites, construction and industrial sites, military camps and expeditions.



A cross section of a typical tank cabin T-500.

# TECHNICAL INFORMATION

---

## – General information

The walls and doors are of sandwich construction, consisting of a reinforced insulated polyurethane core covered with plastic coated aluzinc sheet on both sides. The roof is made from galvanised steel with riveted edges. The floor and toilet seat in the tank models come as a single piece of fibre glass reinforced plastic polyester seamlessly joined to the walls. The floor has a ridge pattern surface to prevent slipping.

## – Equipment

The cabins come with complete electrical installation for lighting and heating. The cabins are equipped with GFCI (Ground Fault Circuit Interrupter) and 3-pole mains inlet for connection to a 1-phase 240V/16A electrical outlet. The equipment includes washbasin with a tap (except for Double Tank Cabin and Toilet Trailer 4), waste paper bin, toilet paper holder, coat hook, mirror and door lock as well as external eye bolts for lifting. In the Tank Cabin the washbasin is connected to a 25 litre (6.5 gal) fresh water container with a foot pump. The WC Cabins come with ceramic toilet bowls.

## – Ventilation

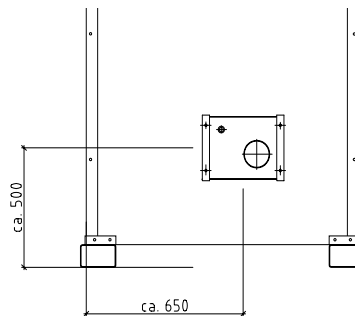
Disk valves allow for natural ventilation. There is separate ventilation for the waste tank.

## – Waste tank

Manufactured from rotomoulded plastic integrated in the unit's structure, the waste tank is able to withstand extreme temperatures. The tank should be filled with water and disinfectant prior to use. The tank requires occasional drainage by sludge suction.

## – Water connection

The WC and Accessible WC Cabins are connected to the mains water supply and sewerage, please see the example for WC below:



## – Sanitation Liquid OdourLess

The OdourLess Sanitation Liquid, or similar product, efficiently removes bad odours and decomposes the waste naturally. The liquid is approved by the Swedish National Chemicals Inspectorate with Reg. No. 3958. Efficacious component: potassium nitrate (42%).